

Function

Most pool designs can be complimented with this versatile cast in place jet. Eight 3/16" sparkling streams form a wide arch, graceful, but with significant mass and form. Single jets can act as accents while groups will form a strong focal point of water, light and sound. The experience is further enhanced at night, adding color and brilliance with the optional fiber optic light.

Specifications

Construction of jet and fiber optic add on shall be cast bronze, brass and stainless steel with copper ground lug. Nozzle is removable for periodic cleaning.

Water inlet: 2 x 1-1/2" n.p.t. female

Hardware included:

1. 1-1/2" PVC plug for proper plumbing
2. PVC nozzle cover for construction and winterization
3. PVC fiber optic cover for construction (models with fiber optic only)

Options

part no.	angle	fiber optic	application
WMT100	as coping	n/a	coping mount
WMT101		●	coping mount
WMT110	20°	n/a	deck mount
WMT111		●	deck mount
WMT120	40°	n/a	deck or wall mount
WMT121		●	deck mount
WMT122		●	wall mount

1. Mounting brackets to be ordered separately (part no. WMT108, set of 2 brackets c/w. fasteners).
2. B.S.P.T. inlets available upon request.

Notes

1. To prevent nozzle plugging due to debris, fine pump inlet screening (strainer openings 0.040") is recommended.
2. For interactive play do not exceed 20 feet per second (13.77 gpm).

Coping Mount Application (WMT 100/101)

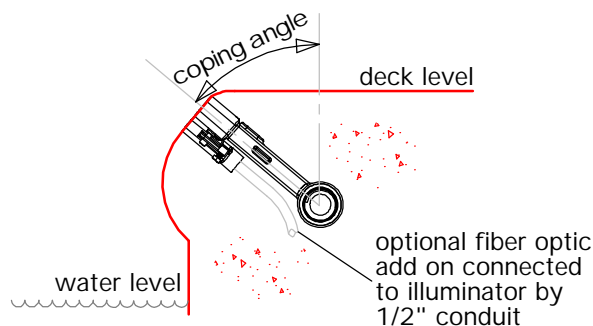
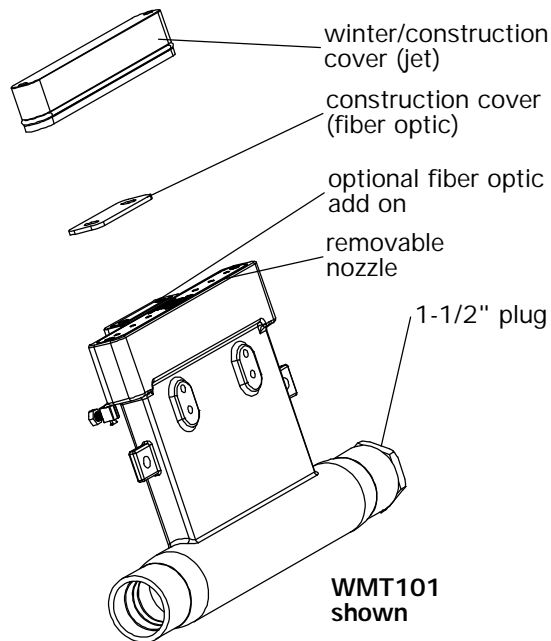
The top of the jet is machined square. The fyrefly jet can be placed at various angles in the coping during installation to achieve different looks and to work with many edge treatments.

Deck Mount Application (WMT 110-121)

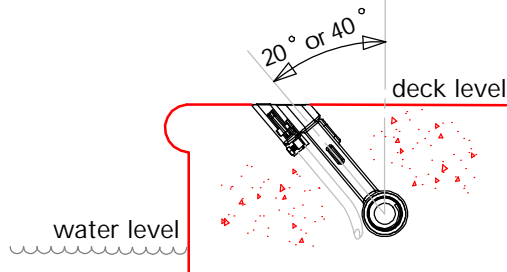
For in deck mounting the jet is machined at static angles of 20 (WMT 110/111) and 40 (WMT 120/121) degrees (measured from vertical). The 20 degree angle gives a high arch ideal for landing in smaller pool sections and spas. The 40 degree angle sets a graceful low arch ideal for larger pools.

Wall Mount Application (WMT 120/122)

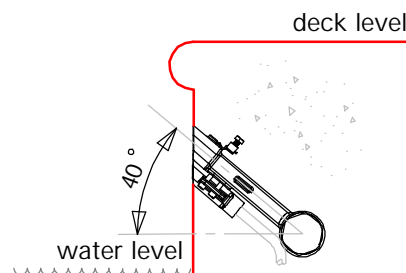
For in wall mounting WMT 120 or 122 is machined at static angles of 40 degrees (measured from horizontal). This allows a similar arch to the deck mounting but the source of the water is hidden below the coping.



Coping Mount Application



Deck Mount Application



Wall Mount Application

PROPRIETARY AND CONFIDENTIAL

THE INFORMATION CONTAINED IN THIS DRAWING IS THE SOLE PROPERTY OF CRYSTAL FOUNTAINS. ANY REPRODUCTION IN PART OR AS A WHOLE WITHOUT THE WRITTEN PERMISSION OF CRYSTAL FOUNTAINS IS PROHIBITED.

CUT SHEET
WMT-D101

www.crystalfountains.com

WaterCrystal
by Crystal Fountains

FYREFLY JET MOUNTING OPTIONS

SERIES
WMT

REV.
E

TEL. (905) 660-6674

FAX. (905) 660-6916

6.1.2004

Function

Most pool designs can be complimented with this versatile cast in place jet. Eight 3/16" sparkling streams form a wide arch, graceful, but with significant mass and form. Single jets can act as accents while groups will form a strong focal point of water, light and sound. The experience is further enhanced at night, adding color and brilliance with the optional fiber optic light. The fyrefly jet can be placed at various angles in the coping during installation to achieve various looks and to work with many edge treatments.

Specifications

WMT100

Construction of basic jet shall be cast bronze, brass and stainless steel with copper ground lug. Nozzle is removable for periodic cleaning.

Water inlet: 2 x 1-1/2" n.p.t. female

Hardware included:

1. 1-1/2" PVC plug for proper plumbing
2. PVC nozzle cover for construction and winterization

WMT101 (Fiber Optic)

Same as WMT100 and comes complete with fiber optic add on. Construction of fiber optic add on shall be cast bronze, brass and stainless steel. PVC cover for construction is included.

Options

1. Mounting brackets to be ordered separately (part no. WMT108, set of 2 brackets c/w. fasteners).
2. B.S.P.T. inlets available upon request.

Notes

1. To prevent nozzle plugging due to debris, fine pump inlet screening (strainer openings 0.04") is recommended.
2. For interactive play do not exceed 20 feet per second (13.77 gpm).

Performance

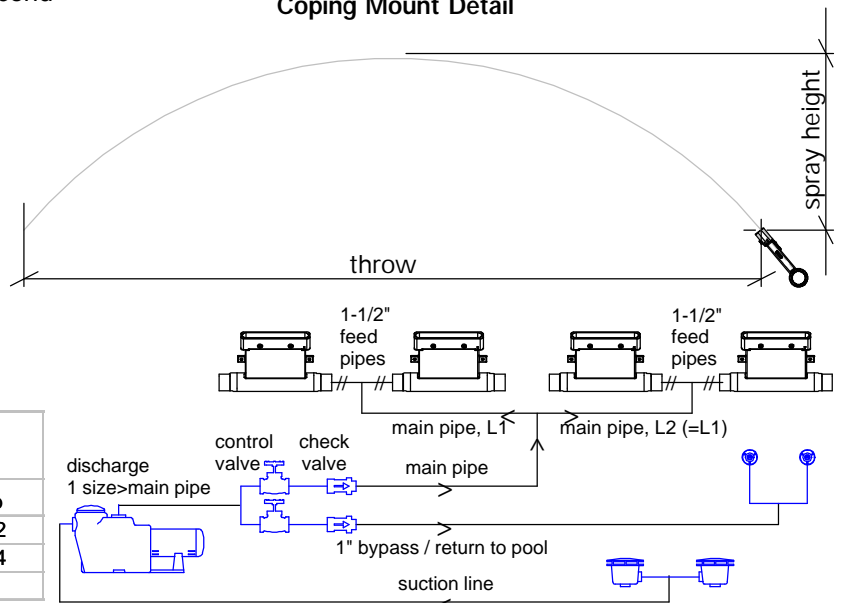
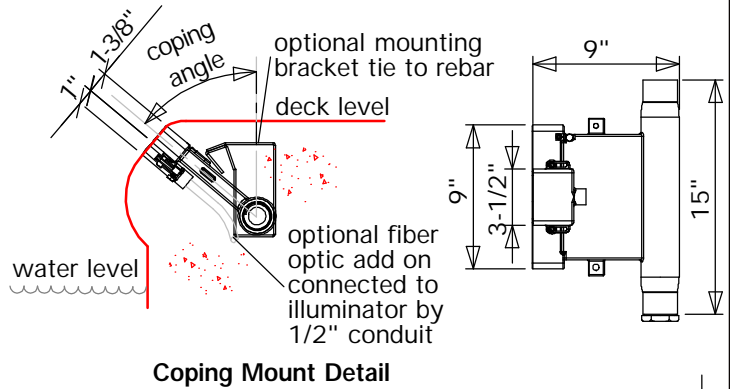
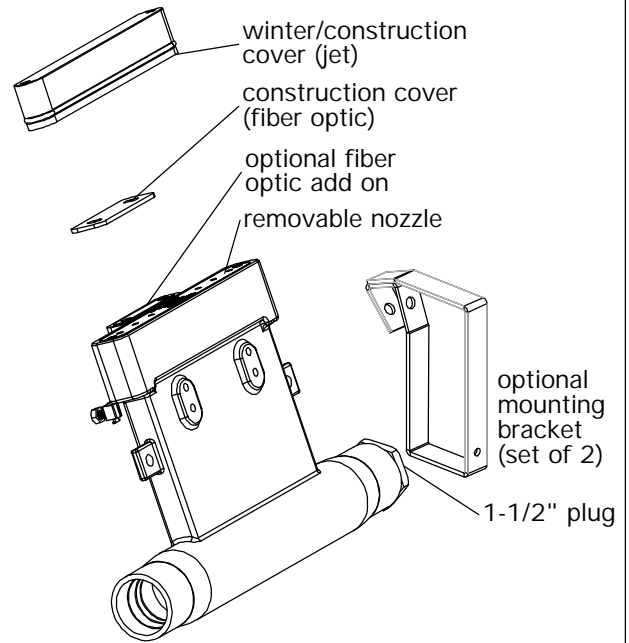
throw (ft.)	spray height (ft.)	US gpm	head (ft.)
2	1.4	8	3
4	2.8	11.5	5.5
6	4.4	14.4	8.2
8	6	17	11
10	7.8	18.4	13.8
12	9.4	21.2	16.8

Performance based on 20 degrees from vertical, required flow decreases as vertical angle increases.

Quick Pipe and Pump Sizing

no. of jets	main pipe diameter	suction pipe diameter	pump		
			US gpm	head (ft.)	hp
1	1-1/2"	1-1/2"	21.5	28	1/2
2	2"	2"	42.5	31	3/4
4	2-1/2"	2-1/2"	85	35	2

Sizing based on 50 ft. of main pipe, 50 ft. of suction line and 1 ft. feed pipes. If number of jets is an odd number (e.g. 3, 5) or greater than 4, a manifold should be used. Manifold and main pipe sizes should be the same. Lengths of all feed pipes should be the same.



PROPRIETARY AND CONFIDENTIAL

THE INFORMATION CONTAINED IN THIS DRAWING IS THE SOLE PROPERTY OF CRYSTAL FOUNTAINS. ANY REPRODUCTION IN PART OR AS A WHOLE WITHOUT THE WRITTEN PERMISSION OF CRYSTAL FOUNTAINS IS PROHIBITED.

CUT SHEET
WMT100-D101



**FYREFLY JET
COPING MOUNT APPLICATION
WMT 100/101**

SERIES
WMT

REV.
E

Function

Most pool designs can be complimented with this versatile cast in place jet. Eight 3/16" sparkling streams form a wide arch, graceful, but with significant mass and form. Single jets can act as accents while groups will form a strong focal point of water, light and sound. The experience is further enhanced at night, adding color and brilliance with the optional fiber optic light. The 20° Fyrefly jet gives a high arch ideal for landing in smaller pool sections and spas.

Specifications

WMT110

Construction of basic jet shall be cast bronze, brass and stainless steel with copper ground lug. Nozzle is removable for periodic cleaning.

Water inlet: 2 x 1-1/2" n.p.t. female

Hardware included:

1. 1-1/2" PVC plug for proper plumbing
2. PVC nozzle cover for construction and winterization

WMT111 (Fiber Optic)

Same as WMT110 and comes complete with fiber optic add on. Construction of fiber optic add on shall be cast bronze, brass and stainless steel. PVC cover for construction is included.

Options

1. Mounting brackets to be ordered separately (part no. WMT108, set of 2 brackets c/w. fasteners)
2. B.S.P.T. inlets available upon request

Notes

1. To prevent nozzle plugging due to debris, fine pump inlet screening (strainer openings 0.04") is recommended.
2. For interactive play do not exceed 20 feet per second (13.77 gpm).

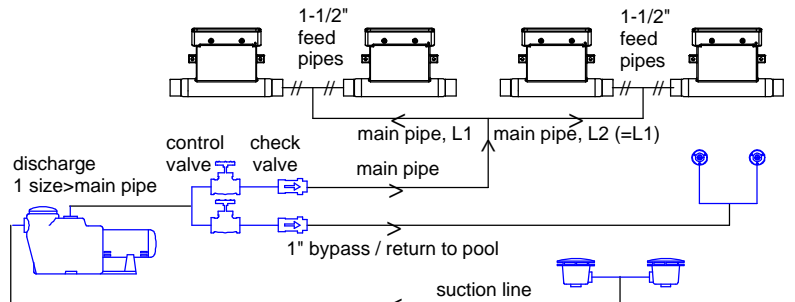
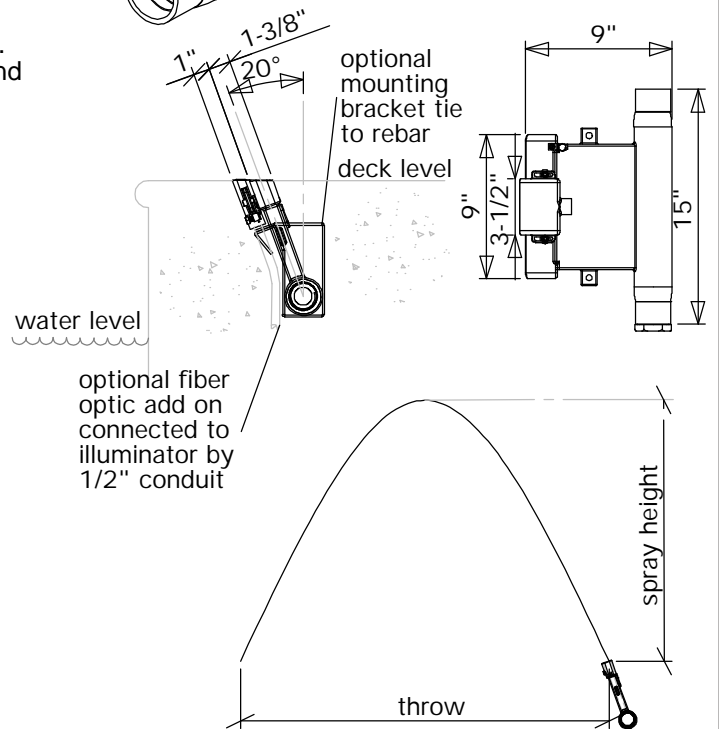
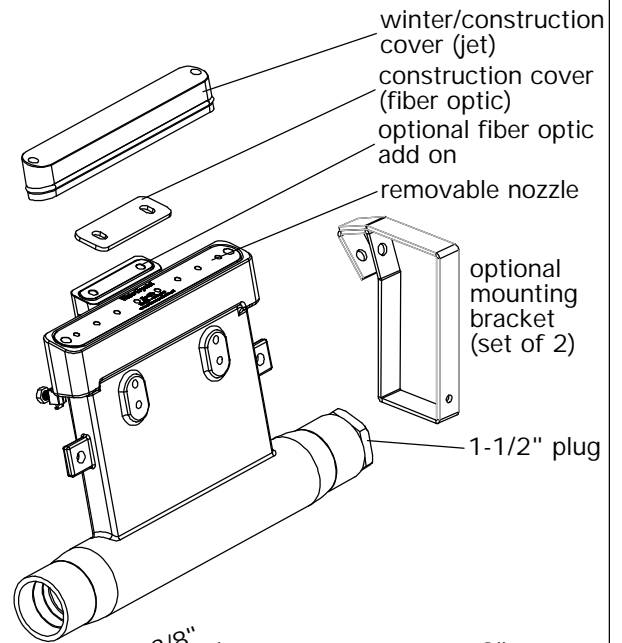
Performance

throw (ft.)	spray height (ft.)	US gpm	head (ft.)
2	1.4	8	3
4	2.8	11.5	5.5
6	4.4	14.4	8.2
8	6	17	11
10	7.8	18.4	13.8
12	9.4	21.2	16.8

Quick Pipe and Pump Sizing

no. of jets	main pipe diameter	suction pipe diameter	pump		
			US gpm	head (ft.)	hp
1	1-1/2"	1-1/2"	21.5	28	1/2
2	2"	2"	42.5	31	3/4
4	2-1/2"	2-1/2"	85	35	2

Sizing based on 50 ft. of main pipe, 50 ft. of suction line and 1 ft. feed pipes. If number of jets is an odd number (e.g. 3, 5) or greater than 4, a manifold should be used. Manifold and main pipe sizes should be the same. Lengths of all feed pipes should be the same.



PROPRIETARY AND CONFIDENTIAL

THE INFORMATION CONTAINED IN THIS DRAWING IS THE SOLE PROPERTY OF CRYSTAL FOUNTAINS. ANY REPRODUCTION IN PART OR AS A WHOLE WITHOUT THE WRITTEN PERMISSION OF CRYSTAL FOUNTAINS IS PROHIBITED.

CUT SHEET
WMT110-D101

www.crystalfountains.com
WaterCrystal
by Crystal Fountains

**FYREFLY JET 20°
DECK MOUNT APPLICATION
WMT 110/111**

SERIES
WMT

REV.
E

TEL. (905) 660-6674

FAX. (905) 660-6916

6.1.2004

Function

Most pool designs can be complimented with this versatile cast in place jet. Eight 3/16" sparkling streams form a wide arch, graceful, but with significant mass and form. Single jets can act as accents while groups will form a strong focal point of water, light and sound. The experience is further enhanced at night, adding color and brilliance with the optional fiber optic light.

For in deck mounting the jet is 40° from vertical giving a graceful low arch ideal for large pools.

For in wall mounting the jet is 40° from horizontal, allowing a similar arch but the source of the water is hidden below the coping.

Specifications

WMT120

Construction of basic jet shall be cast bronze, brass and stainless steel with copper ground lug. Nozzle is removable for periodic cleaning.

Water inlet: 2 x 1-1/2" n.p.t. female

Hardware included:

1. 1-1/2" PVC plug for proper plumbing
2. PVC nozzle cover for construction and winterization

WMT121 and WMT122 (Fiber Optic)

Same as WMT120 and comes complete with fiber optic add on. Construction of fiber optic add on shall be cast bronze, brass and stainless steel. PVC cover for construction is included.

Options

1. Mounting brackets to be ordered separately (part no. WMT108, set of 2 brackets c/w. fasteners)
2. B.S.P.T. inlets available upon request

Notes

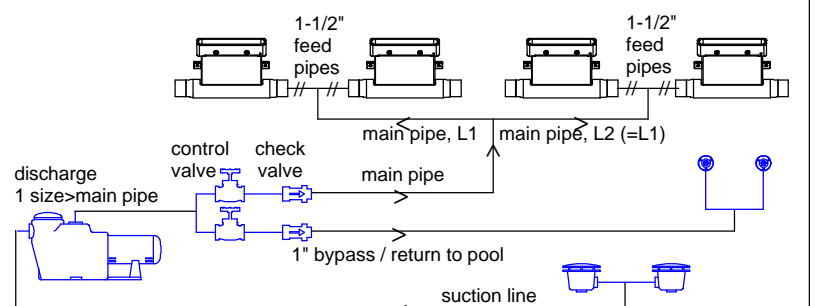
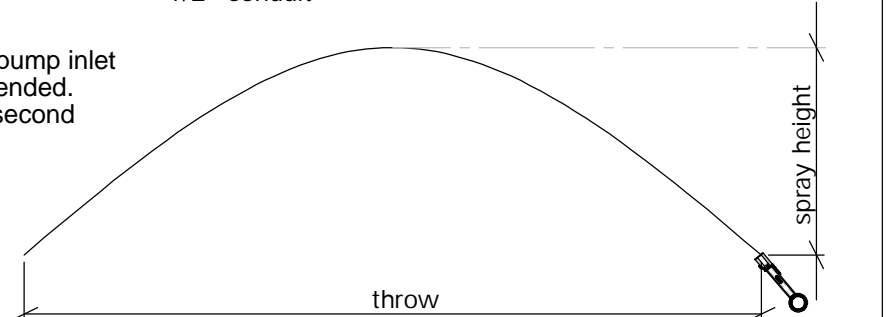
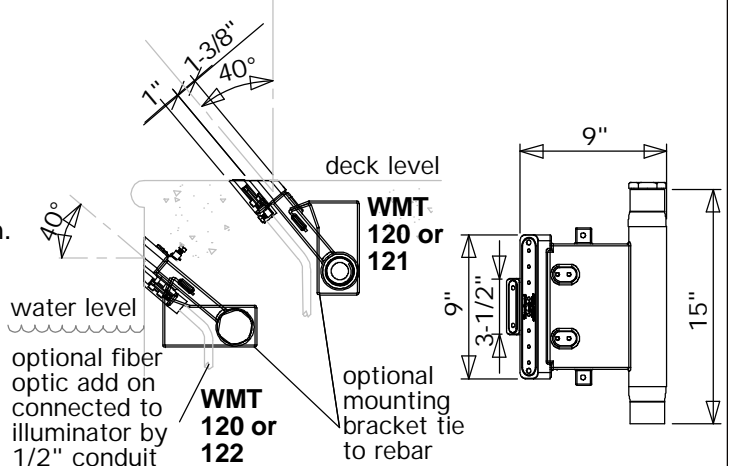
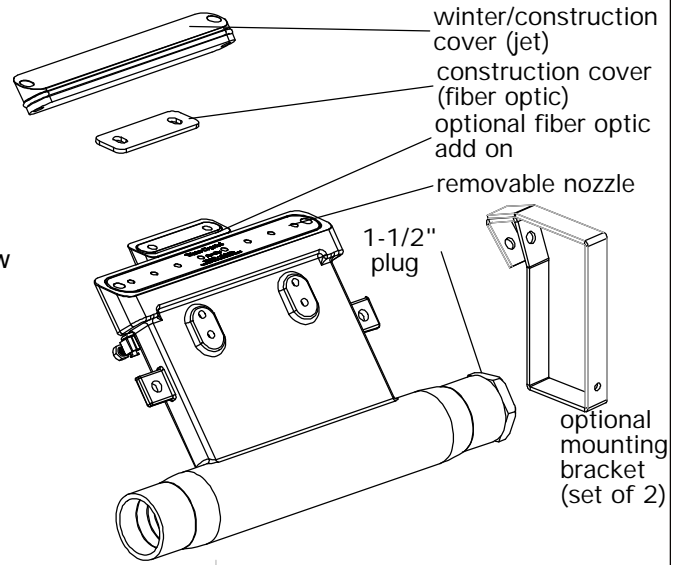
1. To prevent nozzle plugging due to debris, fine pump inlet screening (strainer openings 0.04") is recommended.
2. For interactive play do not exceed 20 feet per second (13.77 gpm).

Performance

throw (ft.)	spray height (ft.)	US gpm	head (ft.)
2	0.7	6.5	2.3
4	1.3	9	3.6
6	1.8	10	5
8	2.3	12.5	6.4
10	2.8	14.2	7.8
12	3.5	15.9	9.7

Quick Pipe and Pump Sizing

no. of jets	main pipe diameter	suction pipe diameter	pump		
			US gpm	head (ft.)	hp
1	1-1/2"	1-1/2"	16	19	1/2
2	2"	2"	32	20	3/4
4	2"	3"	64	35	1



Sizing based on 50 ft of main pipe, 50 ft. of suction line and 1 ft. feed pipes. If number of jets is an odd number (e.g. 3, 5) or greater than 4, a manifold should be used. Manifold and main pipe sizes should be the same. Lengths of all feed pipes should be the same.

PROPRIETARY AND CONFIDENTIAL

THE INFORMATION CONTAINED IN THIS DRAWING IS THE SOLE PROPERTY OF CRYSTAL FOUNTAINS. ANY REPRODUCTION IN PART OR AS A WHOLE WITHOUT THE WRITTEN PERMISSION OF CRYSTAL FOUNTAINS IS PROHIBITED.

CUT SHEET
WMT120-D101



**FYREFLY JET 40°
DECK/WALL MOUNT APPLICATION
WMT 120/122**

SERIES	REV.
WMT	E
	6.1.2004